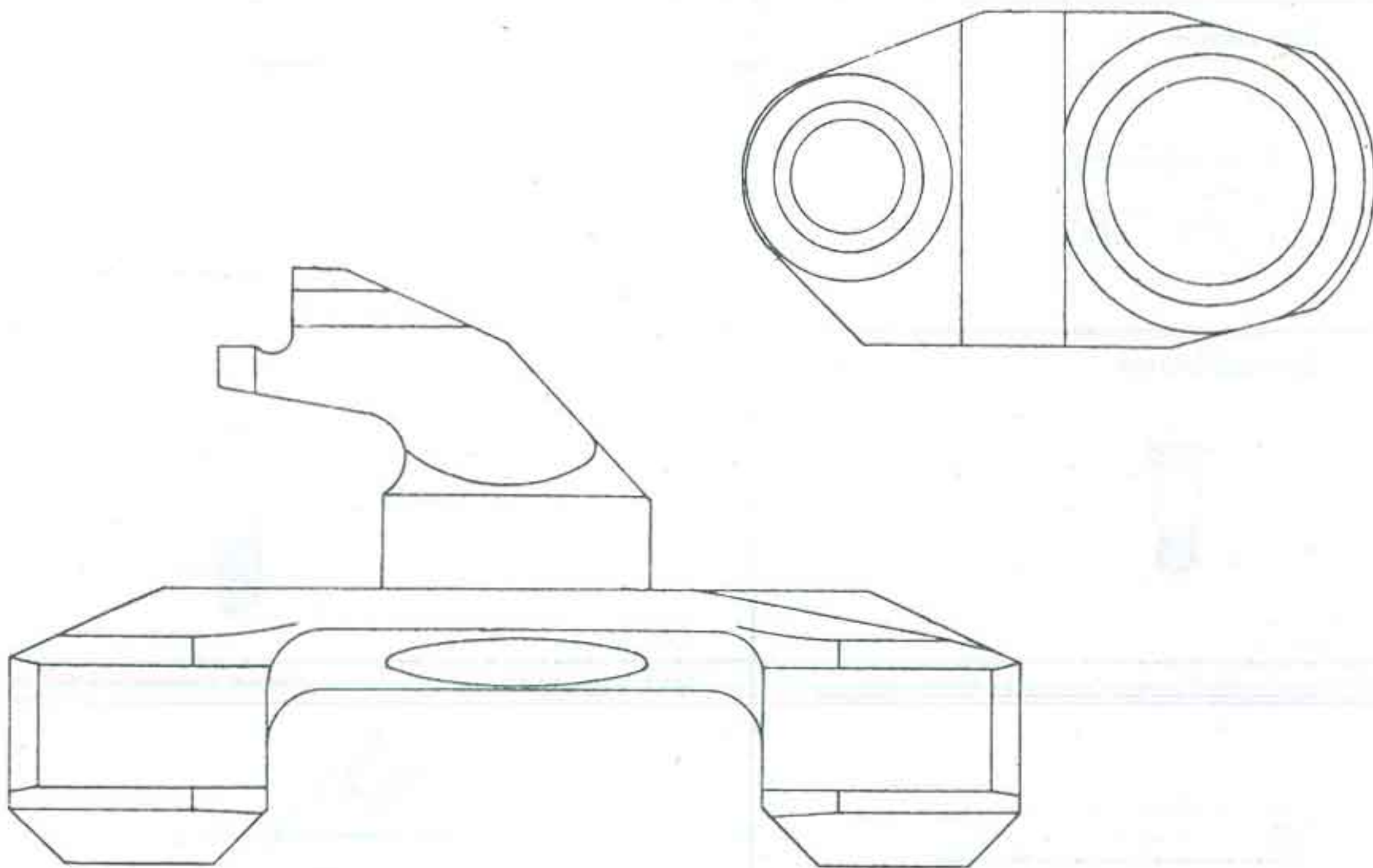


OMKAR

ENGINEERING WORKS

**REPLACEMENT PARTS FOR
SULZER
PROJECTILE WEAVING MACHINES
QUALITY PARTS MANUFACTURED
IN INDIA**



OMKAR
ENGINEERING WORKS

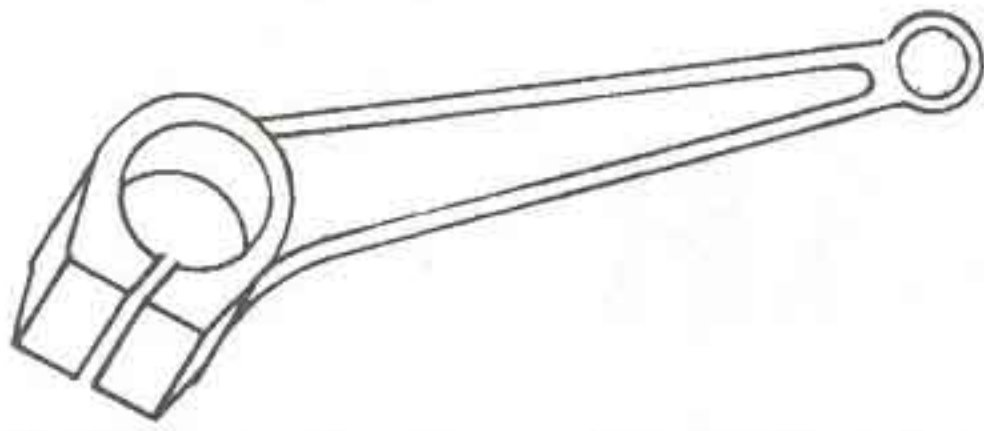
Rachna Estate, Opp. Krishna Estate Flate, Behind Abhushan Jewellers,
Krishnanagar Road, Saijpur Bogha, Ahmedabad-382345.

Telefax : 22813207

Website : www.omkareng.com

911 822 021

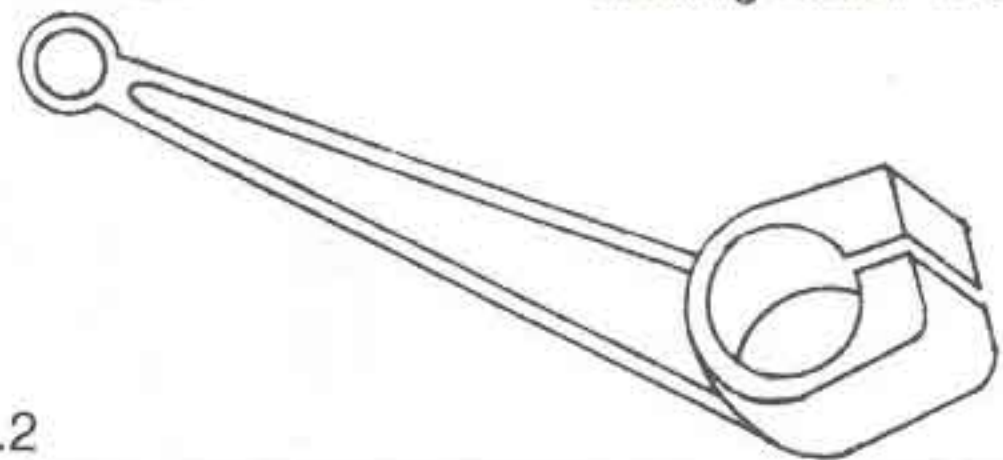
Picking Lever D-37 mm.



OM.1

911 122 230

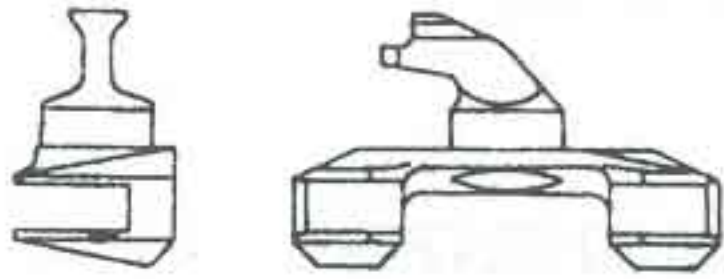
Picking Lever D-35 mm.



OM.2

911 322 278
911 122 186

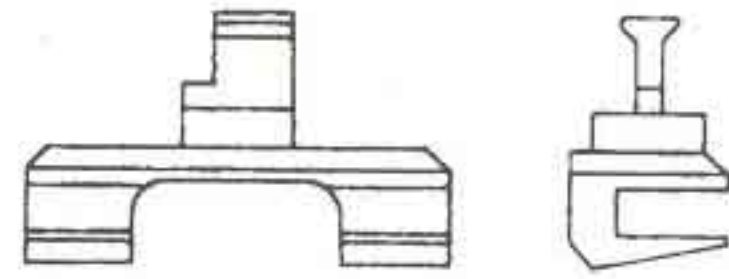
Picking Shoe -P.U



OM.3

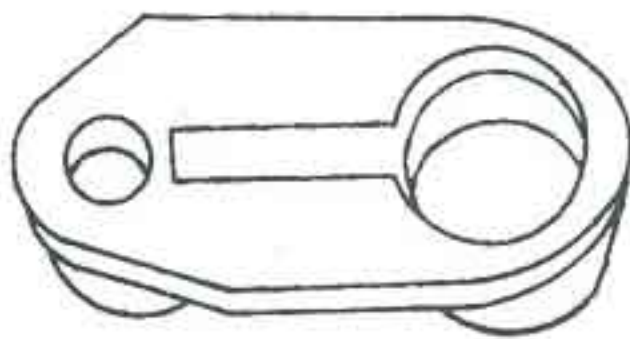
911 122 190

Picking Shoe T.W 11



OM.4

911 322 147 Picking Link - P.U



OM.5

911 122 214

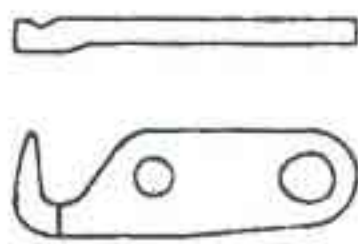
Picking Link T.W.11



OM.6

911 129 165

Fas Opener D-1



OM.7

911 318 002

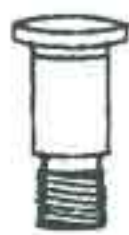
Projectile opener D-1 Su



OM.8

911 229 131

Special Screw



OM.9

911 229 129

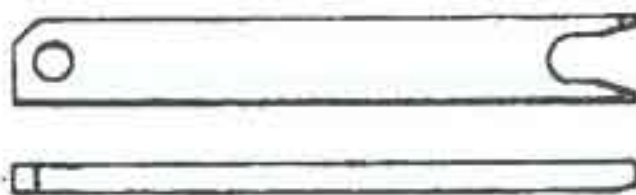
Special Screw



OM.10

911 119 254

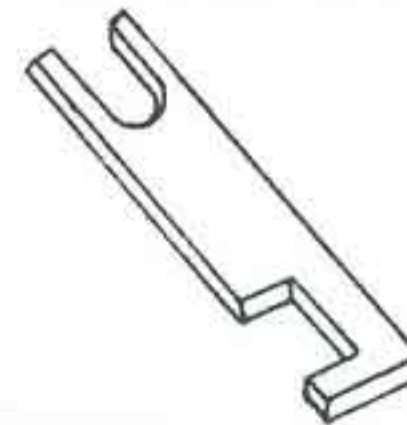
Projectile Feeder Opener M.S R.H. Opener



OM.11

911 119 227

R.H. Opener ES



OM.12

911 119 200

R.H. Lever D-1 T.W. 11



OM.13

911 319 168

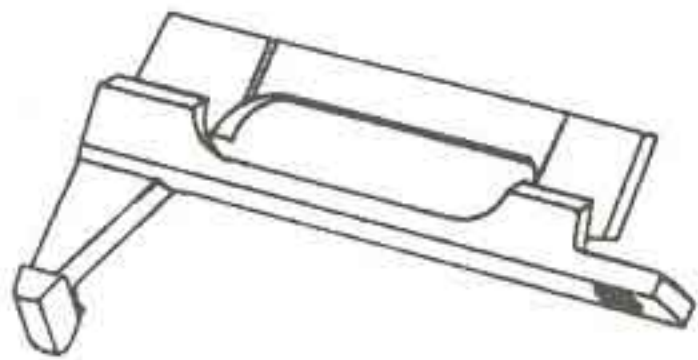
R.H. Lever -P.U



OM.14

912 119 215

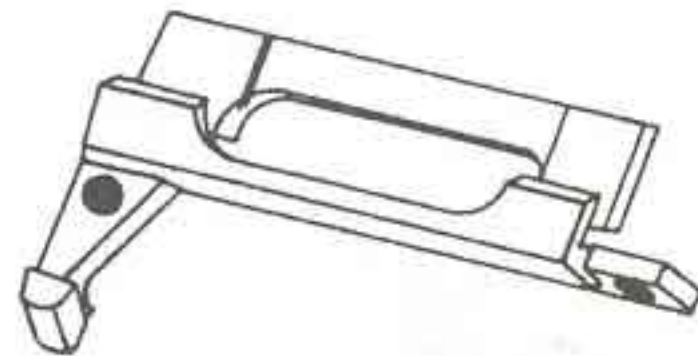
R.H. Sliding Piece Ms



OM.15

911 719 004

R.H. Sliding Piece M.S Light



OM.16

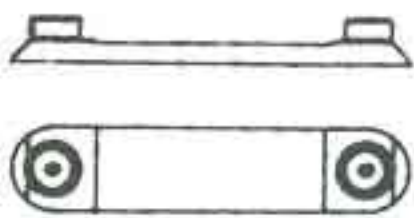
911 119 222

R.H. Slide Shoe Link M.S
Projectile Feeder link

911 319 429

911 319 117

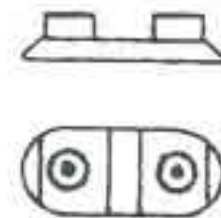
911 319 177



OM.17

911 119 180

R.H. Slide Shoe Link E.S



OM.18

912 526 011

Roller Bolt



OM.19

911 100 477

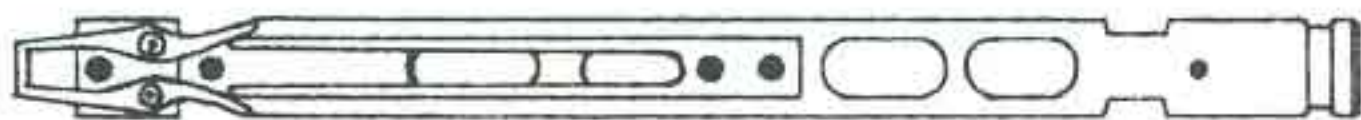
Roller D-25



OM.20

911 519 027

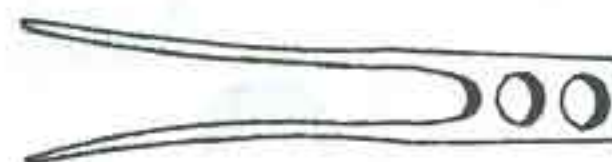
Projectile Feeder M.S



OM.21

911 119 235

Gripper Spring



OM.22

911 136 170

Cam Plate D-1



OM.23

911 120 213

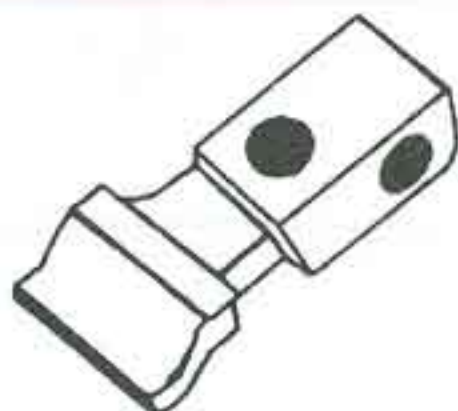
Cam Plate D-1



OM.24

911 130 161

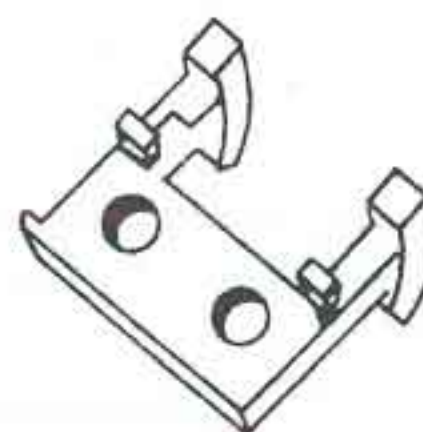
Latch D-1



OM.25

911 130 133

Expeller Fork



OM.26

911 117 137

Projectile Lifter Upper Part M.S D-1



OM.27

911 177 102

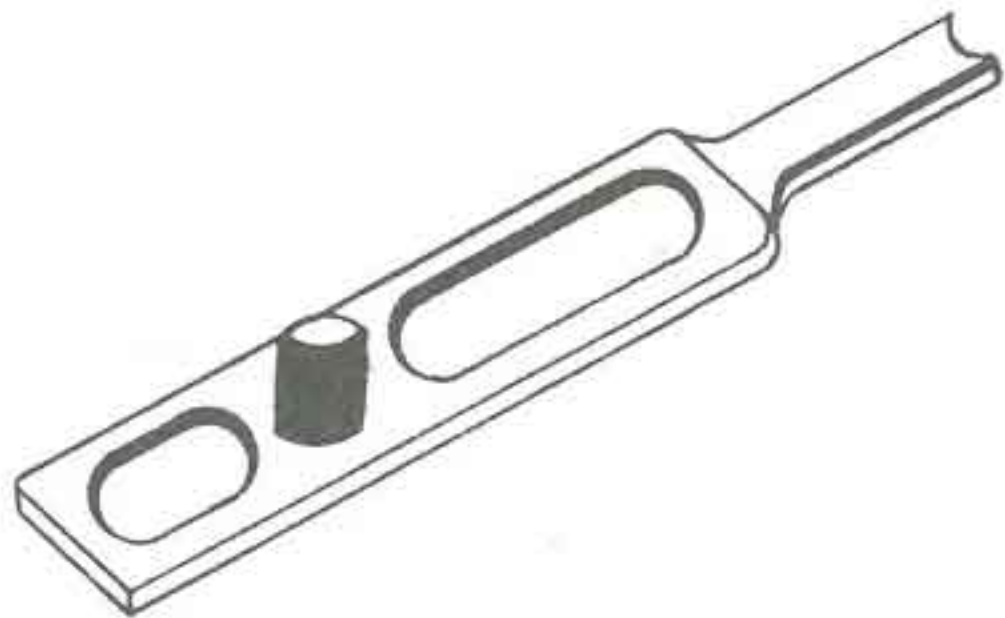
Projectile Lifter Upper Part D-1



OM.28

912 526 021

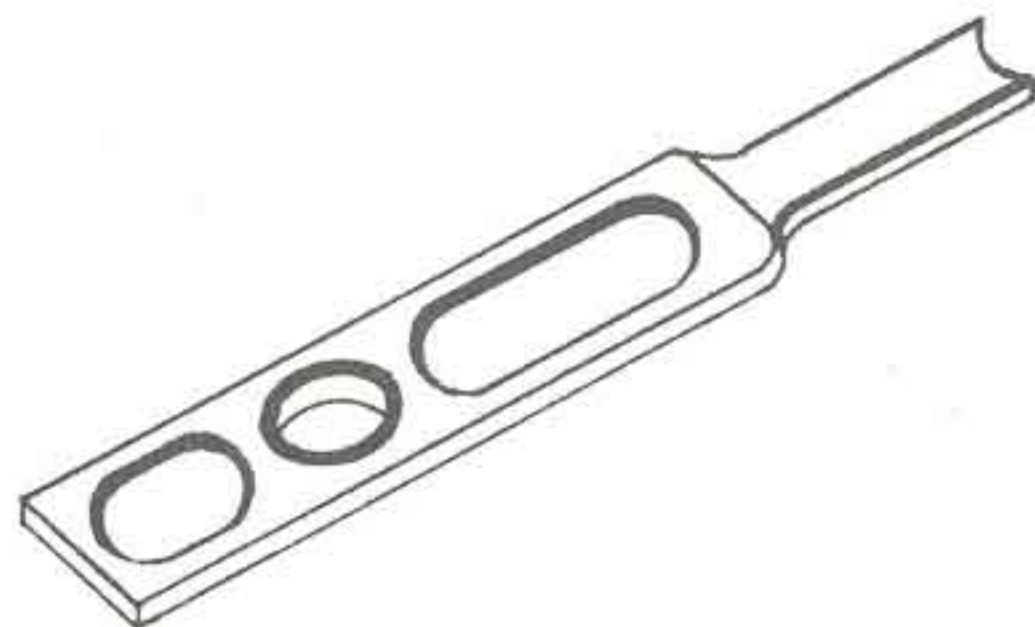
Projectile Returner D-2



OM.29

911 826 008

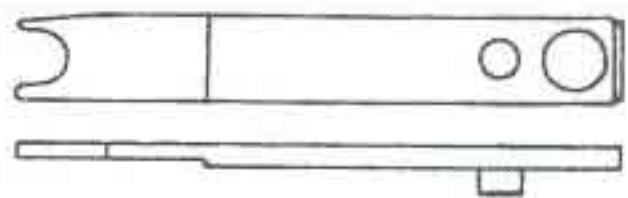
Projectile Returner Hevy



OM.30

912 526 008
912 526 007
912 526 051

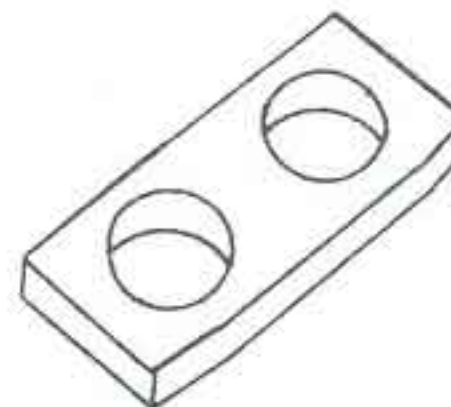
Projectile Returner T.W 11



OM.31

911 126 103

Returner Link T.W-11



OM.32

911 326 057

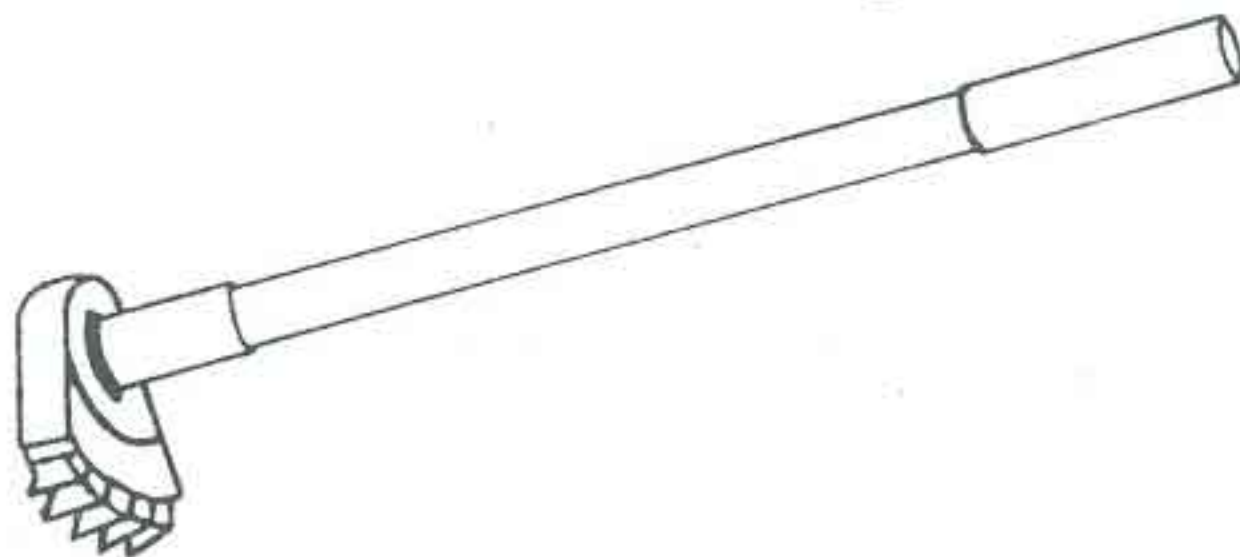
Returner Link P.U



OM.33

911 141 129

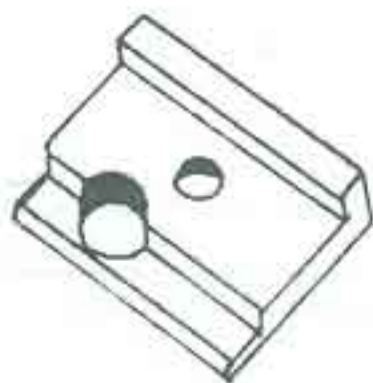
Cam Driving Shaft



OM.34

911 116 164

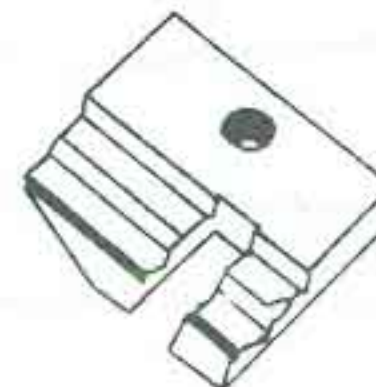
Front Guide Insert D-1 MS



OM.35

911 116 165

Projectile Guide Block D-1 M.S



OM.36

911 131 160
911 731 101

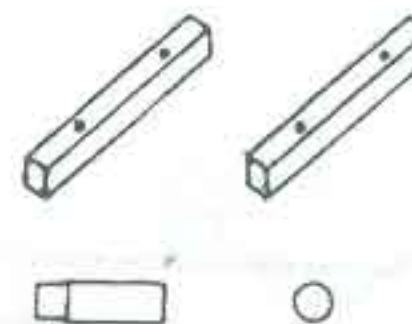
Conveyor Link D-1



OM.37

911 231 175

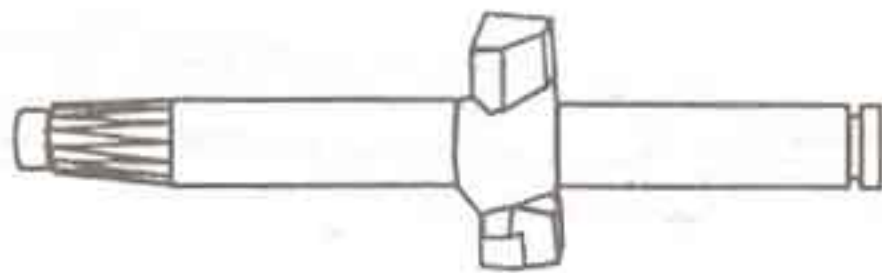
Chain Pin



OM.38

911 117 158

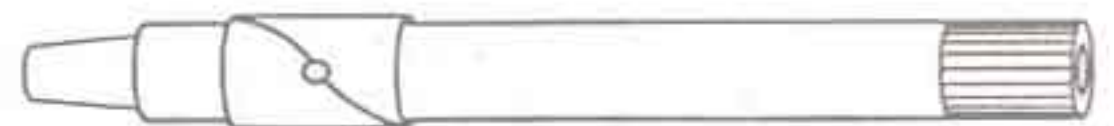
Splined Shaft



OM.39

912 505 023

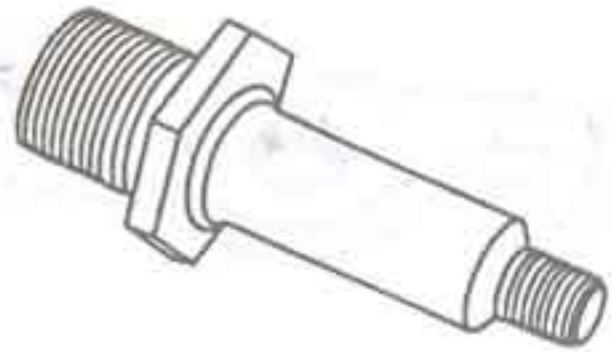
KSA Shaft



OM.40

911 119 212

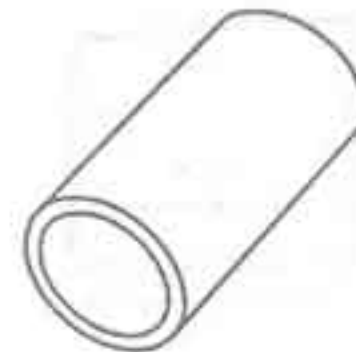
R.H. Axle



OM.41

912 119 232

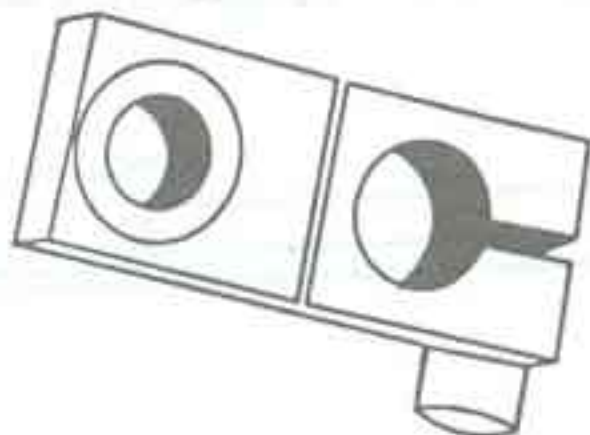
R.H. Axle Bush



OM.42

911 105 194

Roller Lever



OM.43

911 105 174

Roller Axle



OM.44

911 105 175

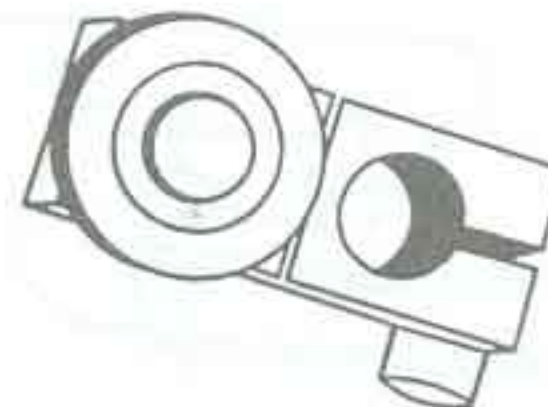
Roller D-50



OM.45

912 505 007

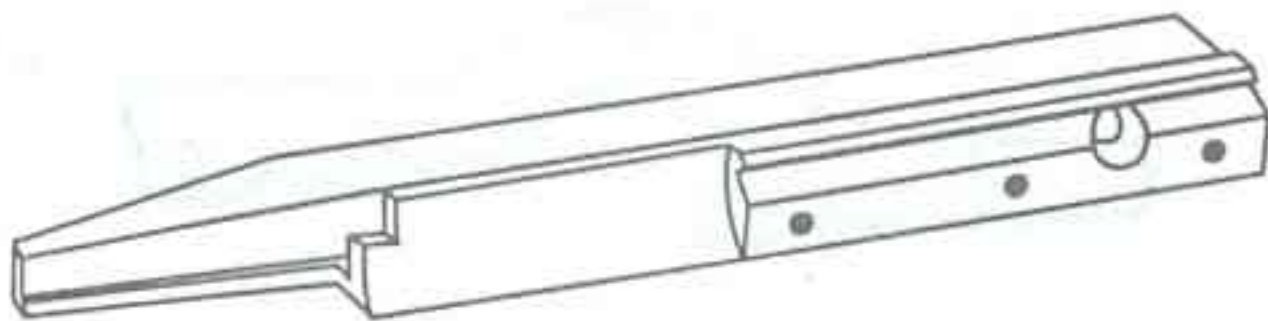
Roller Lever Complete



OM.46

911 316 117

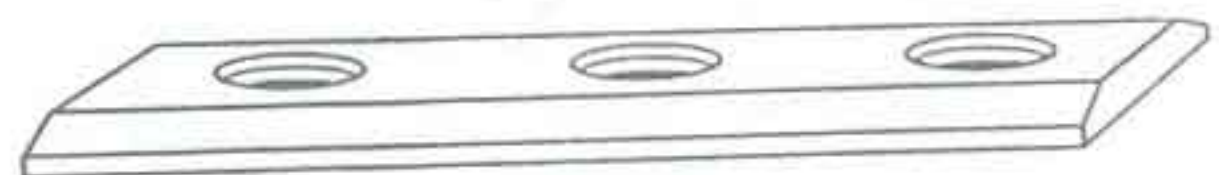
Upper Guide Rail



OM.47

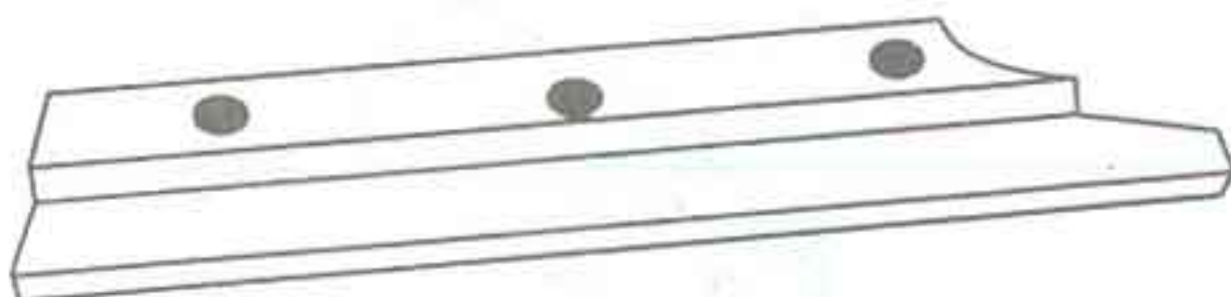
911 116 150

Upper Guide Rail Plate



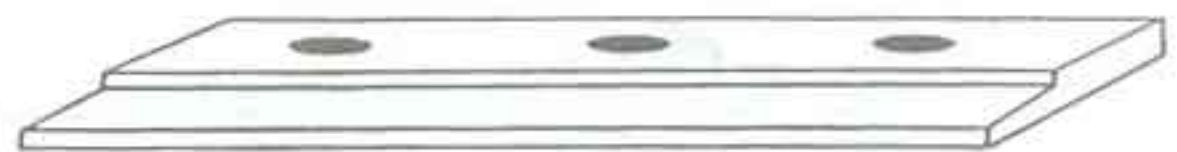
OM.48

S.L. Guide Rail P.U.



OM.49

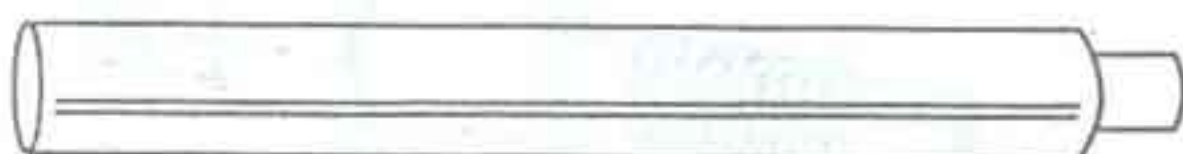
S.L. Guide Rail T.W.11



OM.50

911 203 112

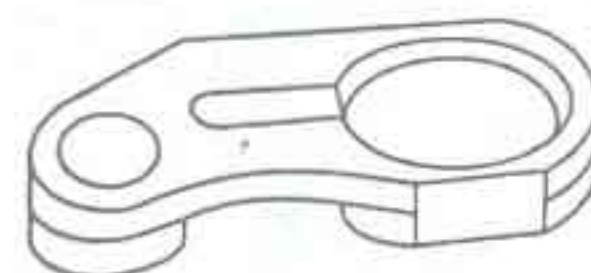
Pressure Pin



OM.51

911 322 397

Picking Link (For P 7100)



OM.52

